



Kenneth W. Jenkins  
County Executive

Department of Public Works and Transportation

Hugh J. Greechan, Jr., P.E., Commissioner  
Gayle M. Katzman, P.E., First Deputy Commissioner  
Hernane N. De Almeida, P.E., Deputy Commissioner



WESTCHESTER COUNTY  
DEPARTMENT OF PUBLIC WORKS AND TRANSPORTATION

---

ROAD MAINTENANCE DIVISION

198 LAKE STREET  
WHITE PLAINS, NY 10601  
(914) 995 - 4951

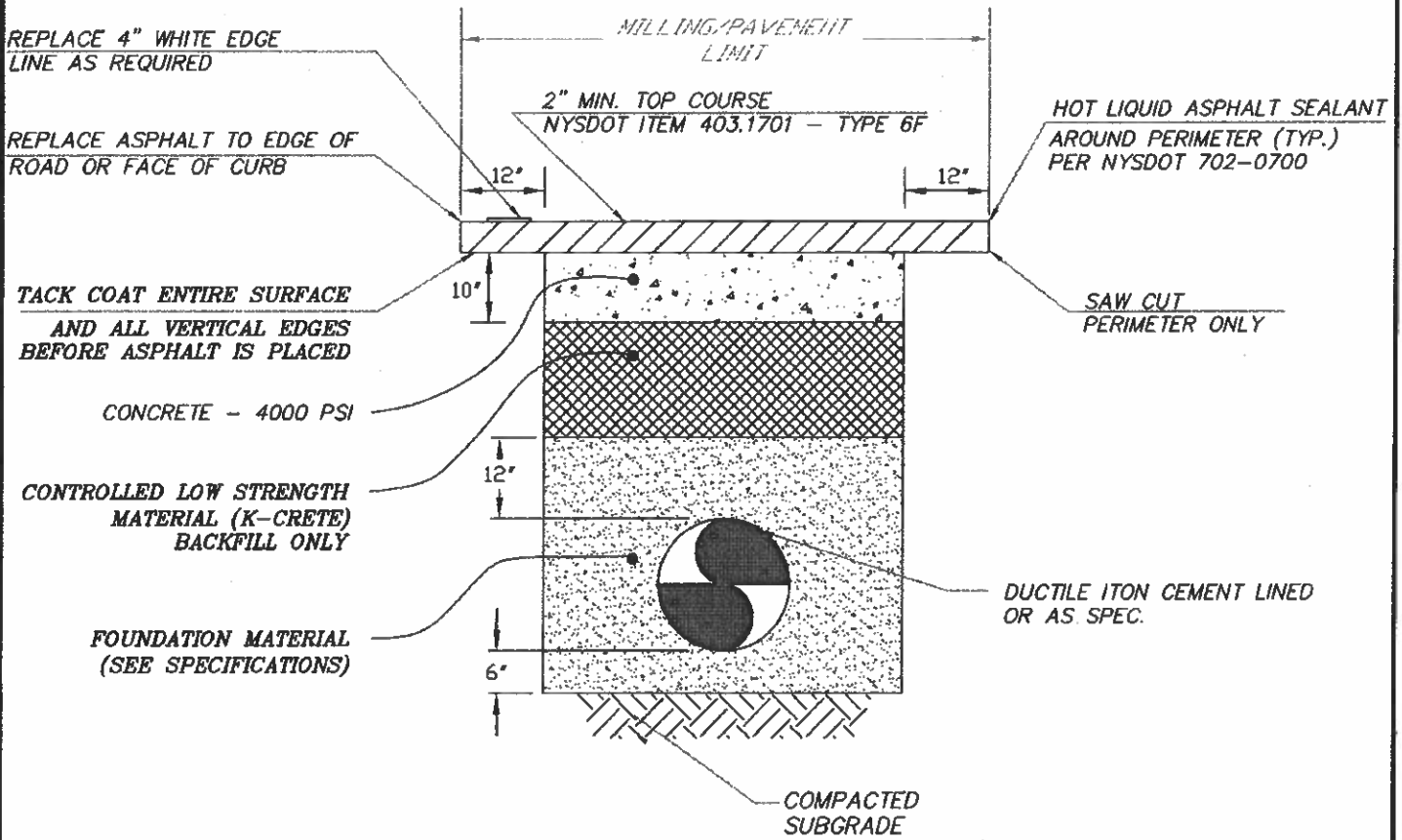
Superintendent of Road Maintenance - **Trever Zwahlen**  
So. Westchester Engineering Inspector - **John Nicholson**  
No. Westchester Engineering Inspector - **George Ireland**

---

PERMIT AGENT

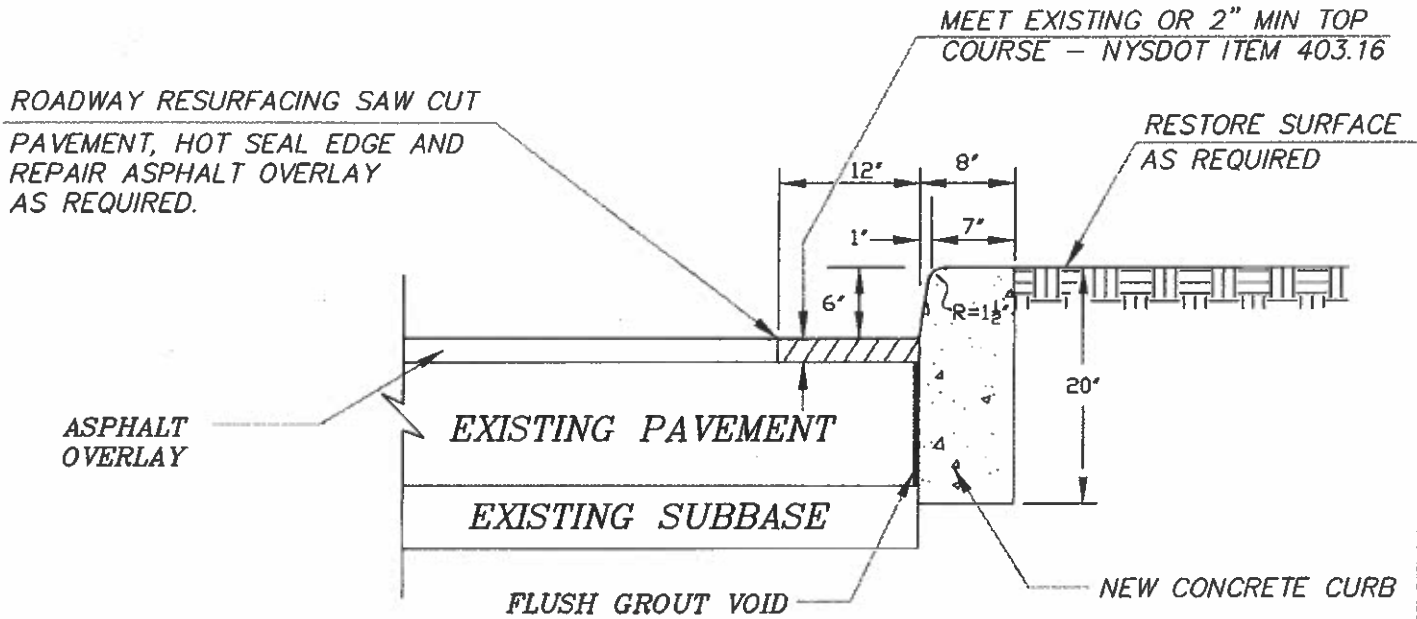
148 MARTINE AVE  
WHITE PLAINS, NY 10601  
(914) 995 - 6403

Permit Agent - **Andrew O'Rourke**



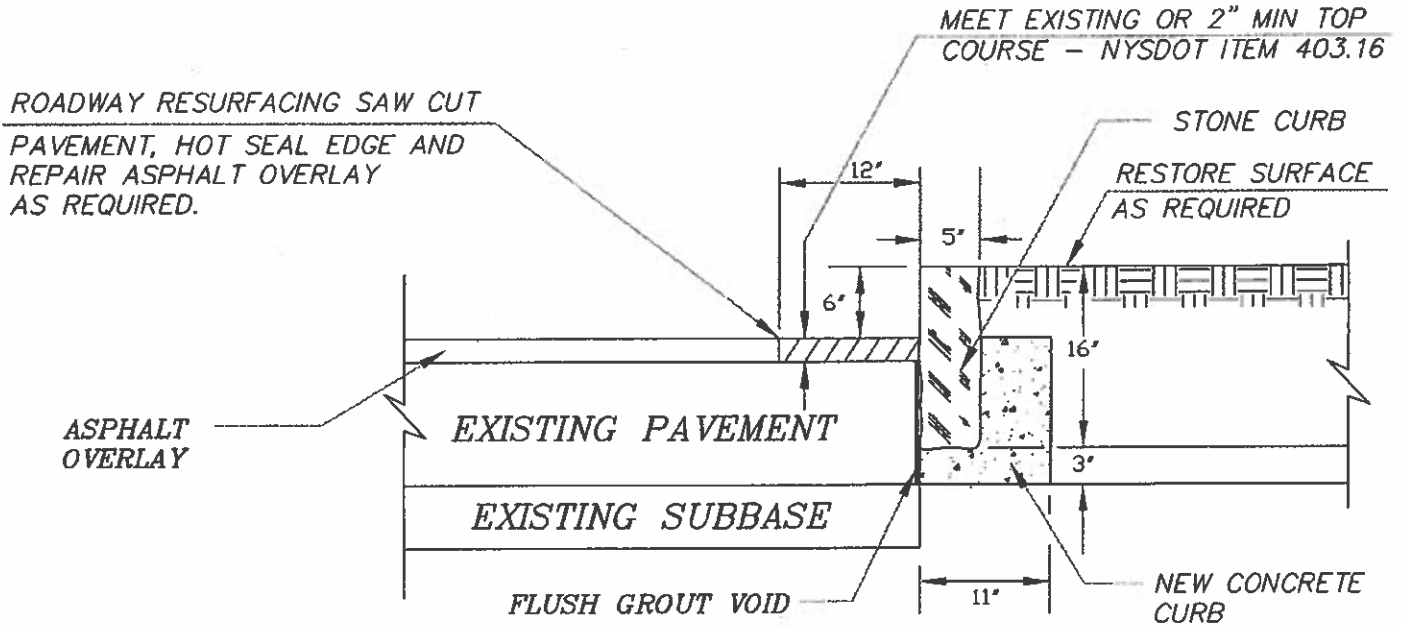
# PERMANENT CONCRETE PAVEMENT REPLACEMENT WITH ASPHALT OVERLAY

<p>COUNTY OF WESTCHESTER DEPARTMENT OF PUBLIC WORKS DIVISION OF ROAD MAINTENANCE</p>	<p>DATE: 10/29/08</p>	<p>PAGE NUMBER: x of x</p>
<p>WCDPW ROADWAY STANDARD DETAILS CONCRETE PAVEMENT WITH ASPHALT OVERLAY DETAILS WESTCHESTER COUNTY, NY</p>	<p>DRAWN BY:</p>	<p>SCALE: N.T.S.</p>
<p>FILENAME.EXT:</p>		



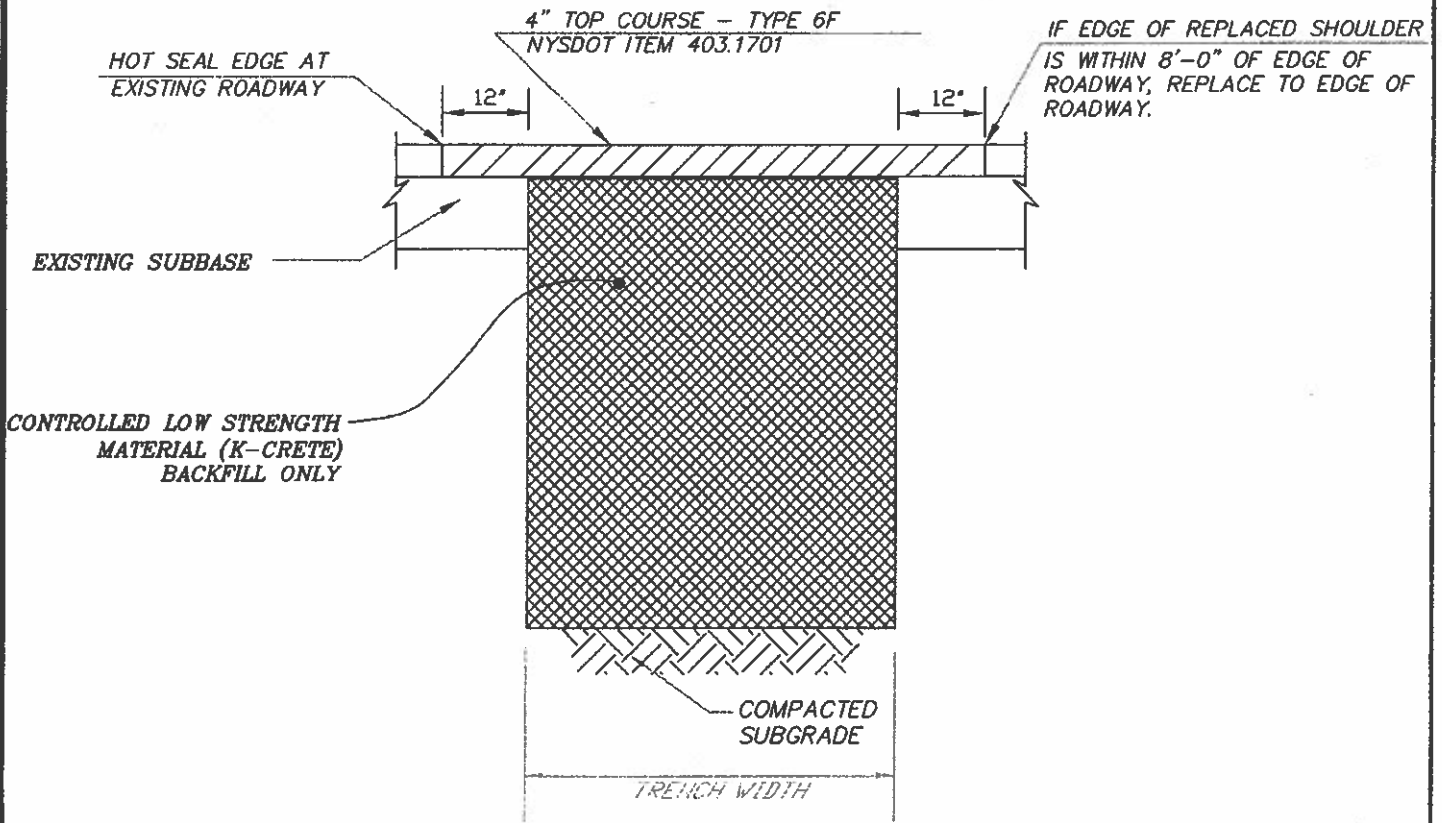
# CONCRETE CURB

COUNTY OF WESTCHESTER DEPARTMENT OF PUBLIC WORKS DIVISION OF ROAD MAINTENANCE	DATE:	10/29/08	PAGE NUMBER:	x of x
	DRAWN BY:		SCALE:	N.T.S.
WCDPW ROADWAY STANDARD DETAILS CONCRETE CURB DETAIL WESTCHESTER COUNTY, NY	FILENAME.EXT:			



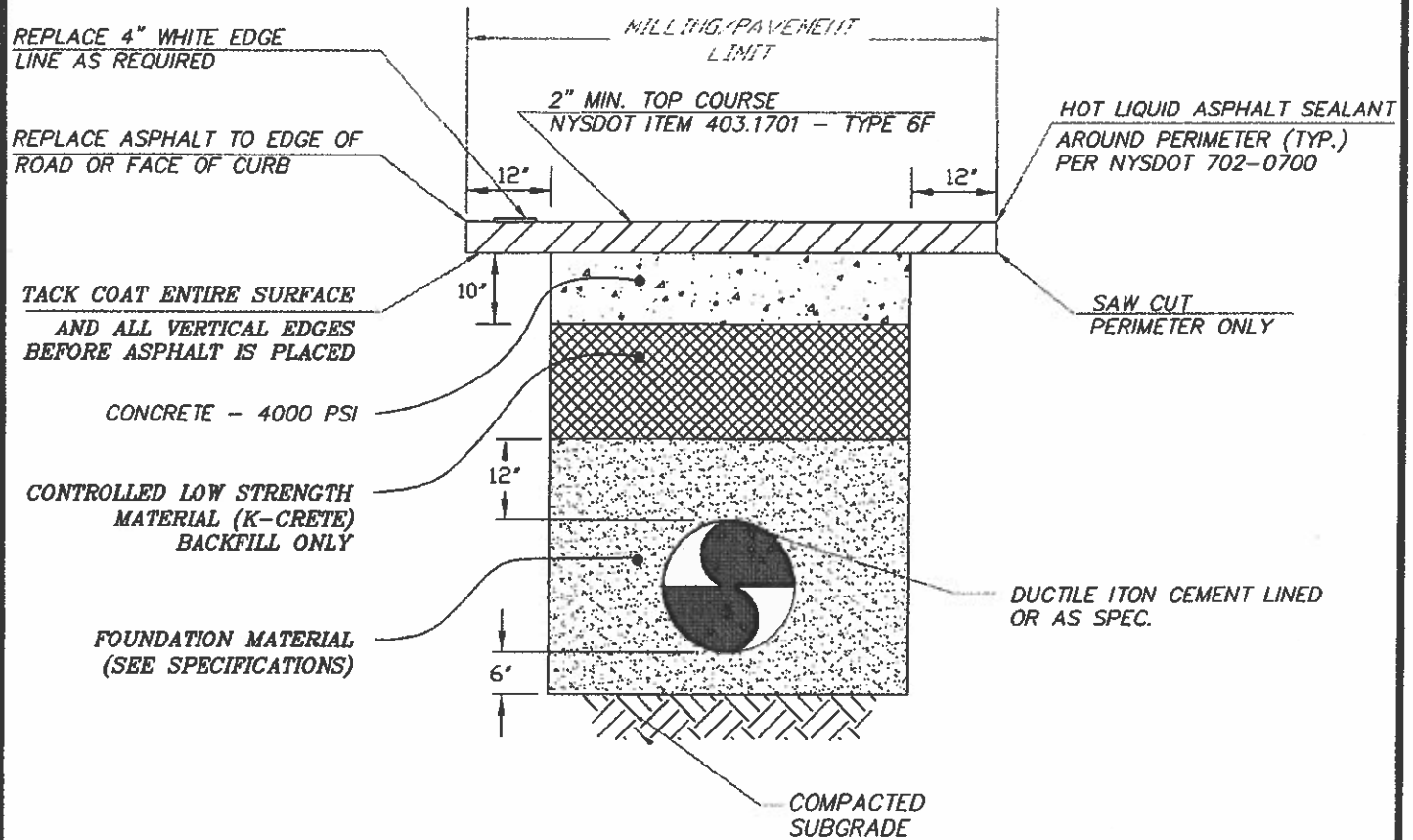
# STONE CURB

COUNTY OF WESTCHESTER DEPARTMENT OF PUBLIC WORKS DIVISION OF ROAD MAINTENANCE	DATE:	PAGE NUMBER:
	10/29/08	x of x
WCDPW ROADWAY STANDARD DETAILS STONE CURB DETAIL WESTCHESTER COUNTY, NY	DRAWN BY:	SCALE:
	FILENAME.EXT:	N.T.S.



## DETAIL OF PERMENANT ASPHALT SHOULDER REPLACEMENT

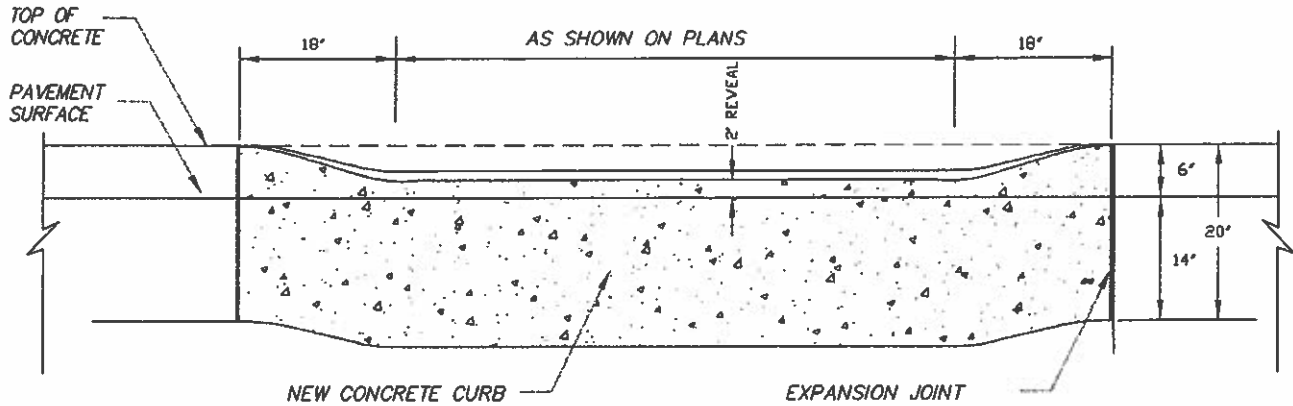
COUNTY OF WESTCHESTER DEPARTMENT OF PUBLIC WORKS DIVISION OF ROAD MAINTENANCE	DATE: 10/29/08	PAGE NUMBER: x of x
WCDPW ROADWAY STANDARD DETAILS PERMENANT ASPHALT SHOULDER REPLACEMENT DETAILS WESTCHESTER COUNTY, NY	DRAWN BY:	SCALE: N.T.S.
FILENAME.EXT:		



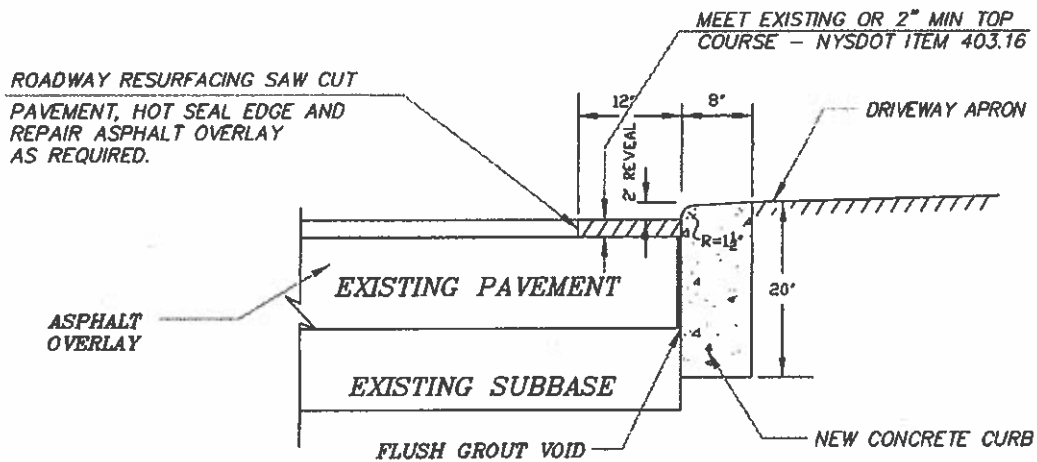
1. TEMPORARY PAVEMENT REPLACEMENT WILL BE ALLOWED ONLY WHEN ASPHALT PLANTS ARE NOT IN OPERATION. WHEN TEMP. PAVEMENT IS USED, CONTRACTOR SHALL BE RESPONSIBLE FOR MAINTENANCE AND UPKEEP OF SAID PATCH UNTIL PERMENANT PATCH IS INSTALLED.
2. UPON THE AVAILABILITY OF ASPHALT, THE CONTRACTOR SHALL EXCAVATE THE "K-CRETE" BACKFILL TO THE ORDERED DEPTH AND REPLACE WITH 4000 PSI CONCRETE AND THE REQUIRED 2" THICK ASPHALT TO THE LIMITS AND SPECIFICATIONS AS SHOWN.
3. STEEL PLATES OF ADEQUATE SIZE SHALL BE PLACED OVER ALL TRENCHES UNTIL THE 4000 PSI CONCRETE PLUG IS DEEMED PASSABLE.
4. STEEL PLATES SHALL BE PINNED AS REQUIRED TO PREVENT MOVEMENT. DURING WINTER ALL STEEL PLATES SHALL BE RECESSED.

## PERMENANT CONCRETE PAVEMENT REPLACEMENT WITH ASPHALT OVERLAY

COUNTY OF WESTCHESTER DEPARTMENT OF PUBLIC WORKS DIVISION OF ROAD MAINTENANCE	DATE:	10/29/08	PAGE NUMBER:	x of x
	DRAWN BY:		SCALE:	N.T.S.
WCDPW ROADWAY STANDARD DETAILS CONCRETE PAVEMENT WITH ASPHALT OVERLAY DETAILS WESTCHESTER COUNTY, NY	FILENAME.EXT:			



## DEPRESSED CONCRETE CURB CURB ELEVATION



## DEPRESSED CONCRETE CURB SECTION

COUNTY OF WESTCHESTER  
DEPARTMENT OF PUBLIC WORKS  
DIVISION OF ROAD MAINTENANCE

WCDPW ROADWAY STANDARD DETAILS  
DEPRESSED CURB DETAIL  
WESTCHESTER COUNTY, NY

DATE:  
10/29/08

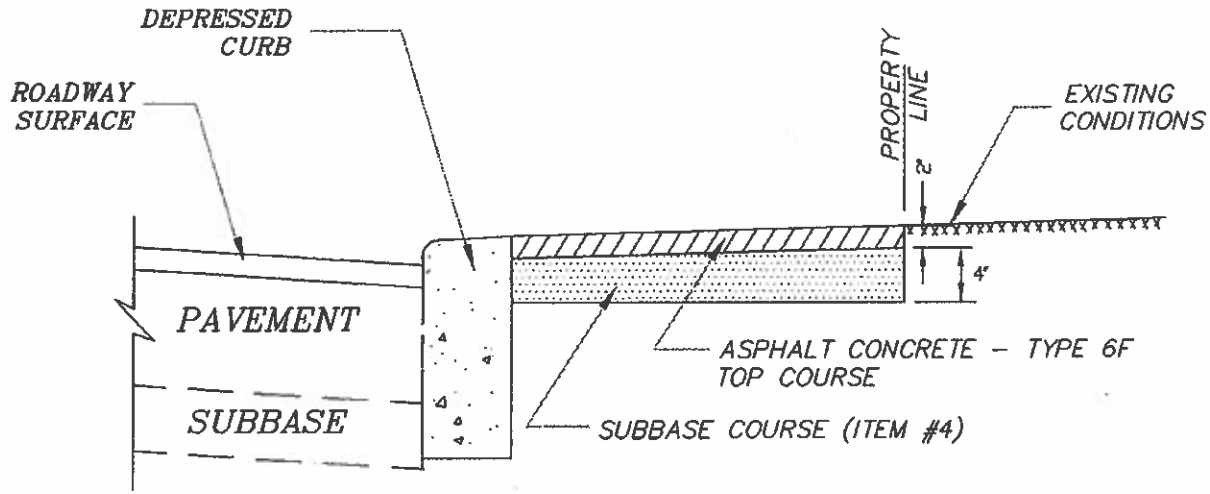
PAGE NUMBER:  
x of x

DRAWN BY:

SCALE:  
N.T.S.

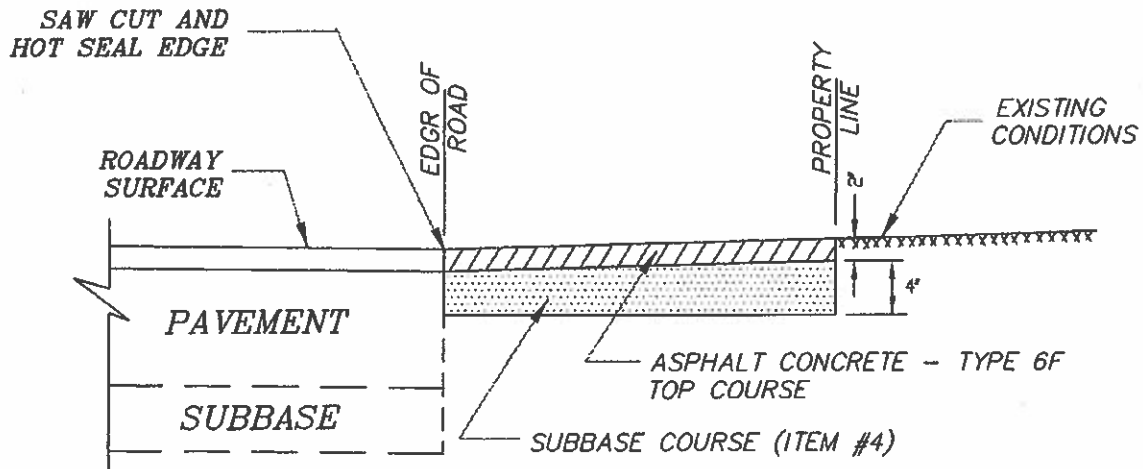
FILENAME.EXT:

**\*NOTE:** EXCAVATION OF DRIVEWAY AT PROPERTY LINE SHALL EQUAL ELEVATION OF THE CENTERLINE OF ROADWAY.



## ASPHALT DRIVEWAY APRON ADJACENT TO CURB

**\*NOTE:** EXCAVATION OF DRIVEWAY AT PROPERTY LINE SHALL EQUAL ELEVATION OF THE CENTERLINE OF ROADWAY.



## ASPHALT DRIVEWAY APRON ADJACENT TO ROADWAY

COUNTY OF WESTCHESTER  
DEPARTMENT OF PUBLIC WORKS  
DIVISION OF ROAD MAINTENANCE

WCDPW ROADWAY STANDARD DETAILS  
DRIVEWAY APRON DETAILS  
WESTCHESTER COUNTY, NY

DATE:

10/29/08

PAGE NUMBER:

x of x

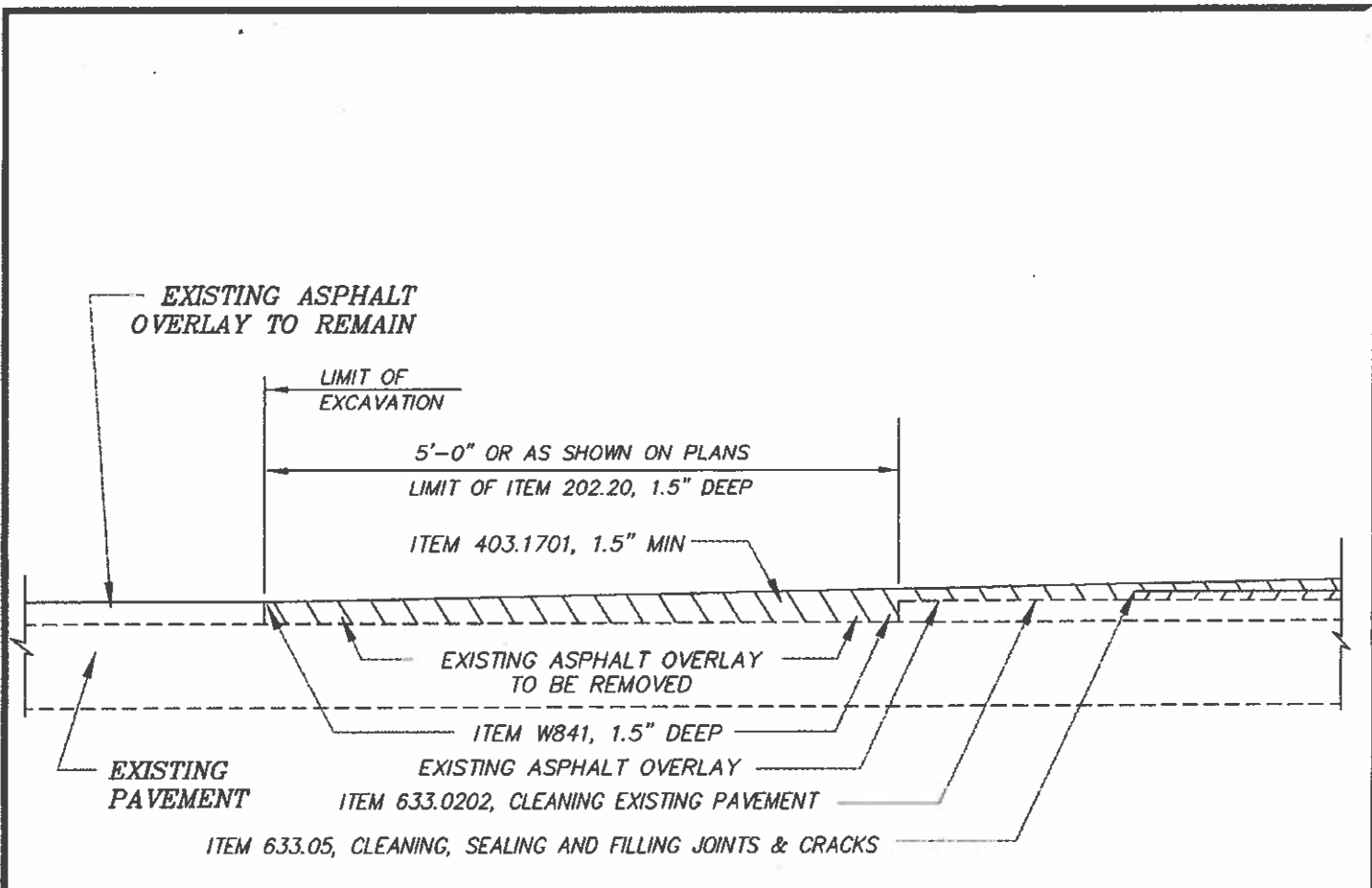
DRAWN BY:

SCALE:

N.T.S.

FILENAME.EXT:





## RESURFACING TRANSITIONS BEGIN AND END RESURFACING

COUNTY OF WESTCHESTER  
DEPARTMENT OF PUBLIC WORKS  
DIVISION OF ROAD MAINTENANCE

WCDPW ROADWAY STANDARD DETAILS  
RESURFACING TRANSITION DETAIL  
WESTCHESTER COUNTY, NY

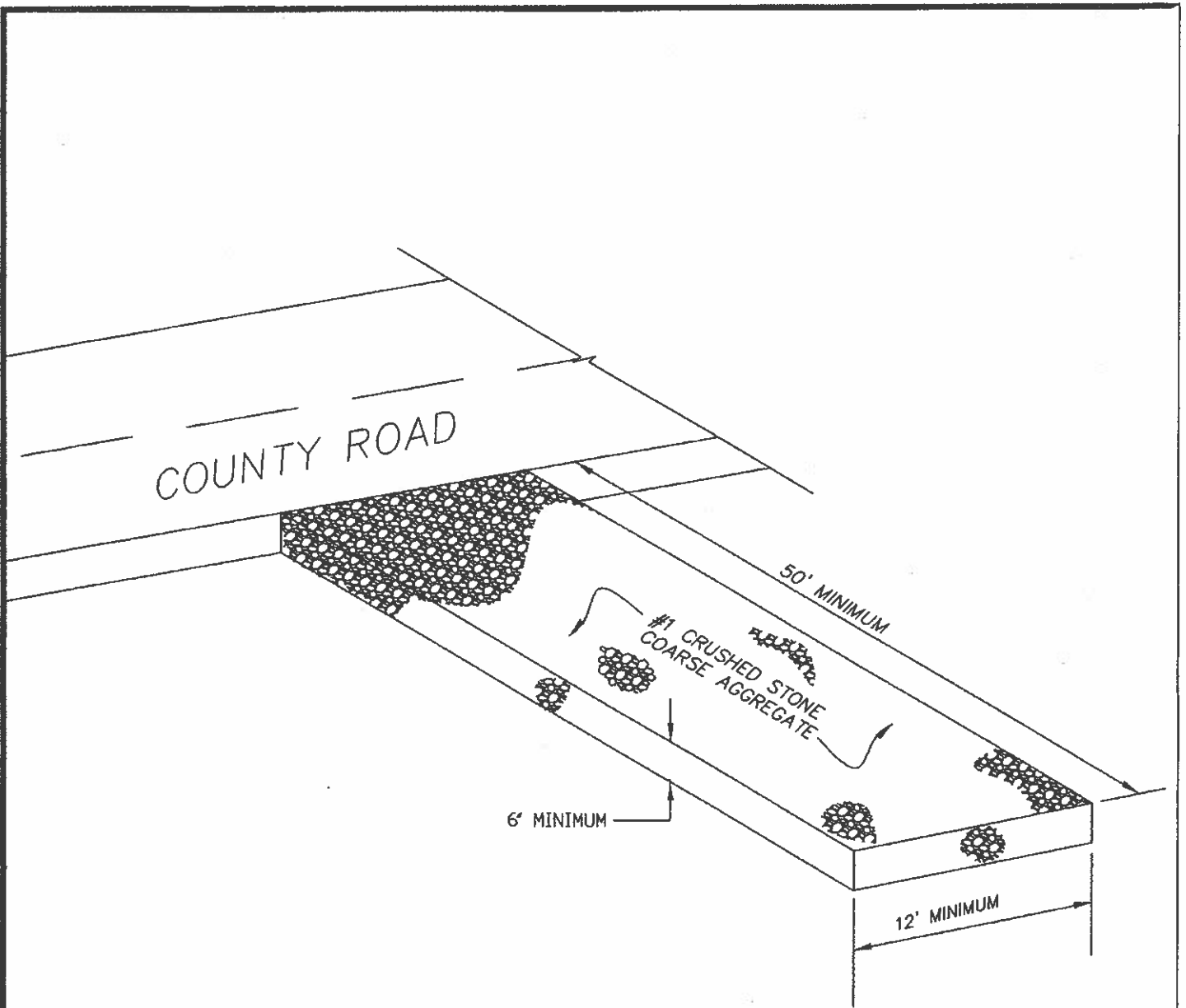
DATE:  
10/29/08

PAGE NUMBER:  
x of x

DRAWN BY:

SCALE:  
N.T.S.

FILENAME.EXT:



CONSTRUCTION ENTRANCE

COUNTY OF WESTCHESTER  
 DEPARTMENT OF PUBLIC WORKS  
 DIVISION OF ROAD MAINTENANCE

WCDPW ROADWAY STANDARD DETAILS  
 CONSTRUCTION ENTRANCE  
 WESTCHESTER COUNTY, NY

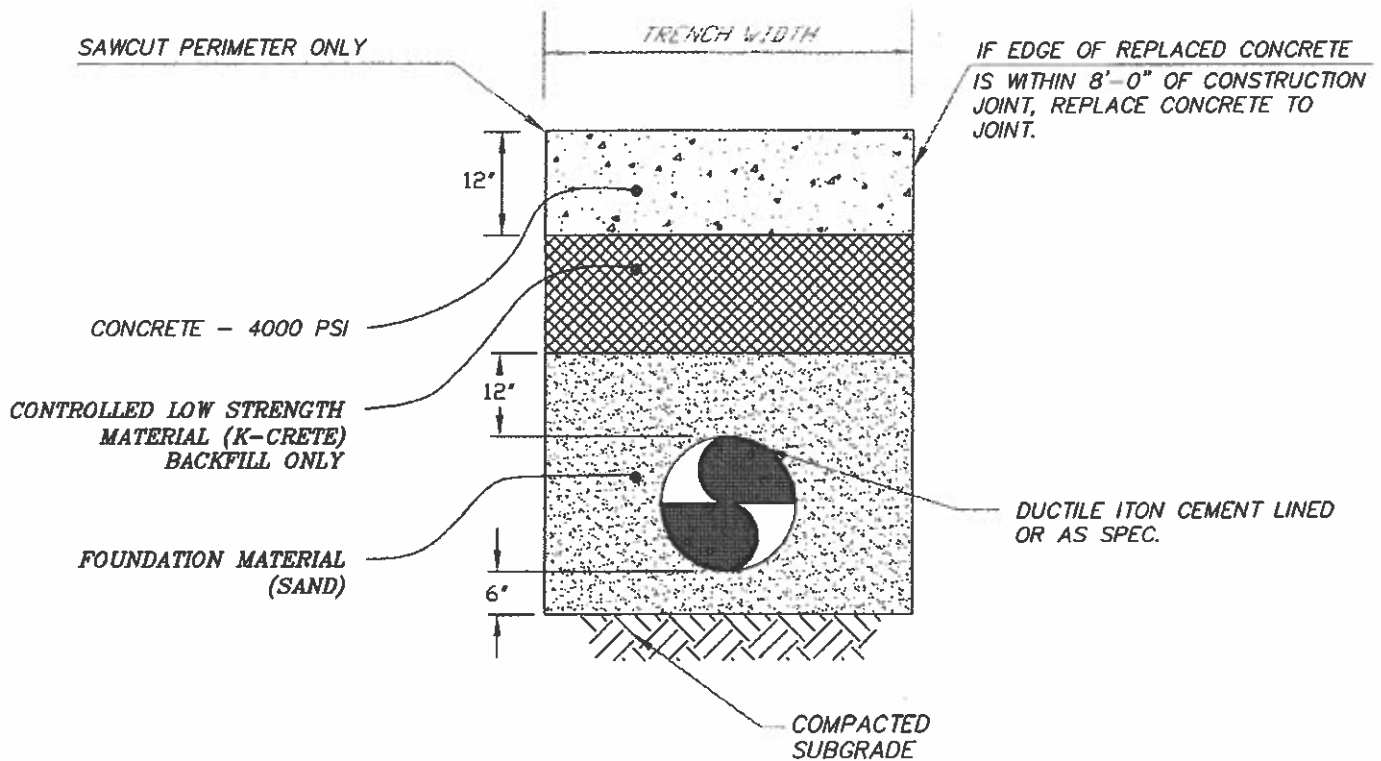
DATE:  
 10/29/08

PAGE NUMBER:  
 x of x

DRAWN BY:

SCALE:  
 N.T.S.

FILENAME.EXT:



1. TEMPORARY PAVEMENT REPLACEMENT WILL BE ALLOWED ONLY WHEN ASPHALT PLANTS ARE NOT IN OPERATION. WHEN TEMP. PAVEMENT IS USED, CONTRACTOR SHALL BE RESPONSIBLE FOR MAINTENANCE AND UPKEEP OF SAID PATCH UNTIL PERMENANT PATCH IS INSTALLED.

2. UPON THE AVAILABILITY OF ASPHALT, THE CONTRACTOR SHALL EXCAVATE THE "K-KRETE" BACKFILL TO THE ORDERED DEPTH AND REPLACE WITH 4000 PSI CONCRETE AND THE REQUIRED 2" THICK ASPHALT TO THE LIMITS AND SPECIFICATIONS AS SHOWN.

3. STEEL PLATES OF ADEQUATE SIZE SHALL BE PLACED OVER ALL TRENCHES UNTIL THE 4000 PSI CONCRETE PLUG IS DEEMED PASSABLE.

4. STEEL PLATES SHALL BE PINNED AS REQUIRED TO PREVENT MOVEMENT. DURING WINTER ALL STEEL PLATES SHALL BE RECESSED.

## DETAIL OF PERMENANT CONCRETE PAVEMENT REPLACEMENT FOR COUNTY ROADS

COUNTY OF WESTCHESTER DEPARTMENT OF PUBLIC WORKS DIVISION OF ROAD MAINTENANCE	DATE: 10/29/08	PAGE NUMBER: x of x
	DRAWN BY:	SCALE: N.T.S.
WCDPW ROADWAY STANDARD DETAILS PERMENANT CONCRETE PAVEMENT REPLACEMENT DETAILS WESTCHESTER COUNTY, NY		FILENAME.EXT: